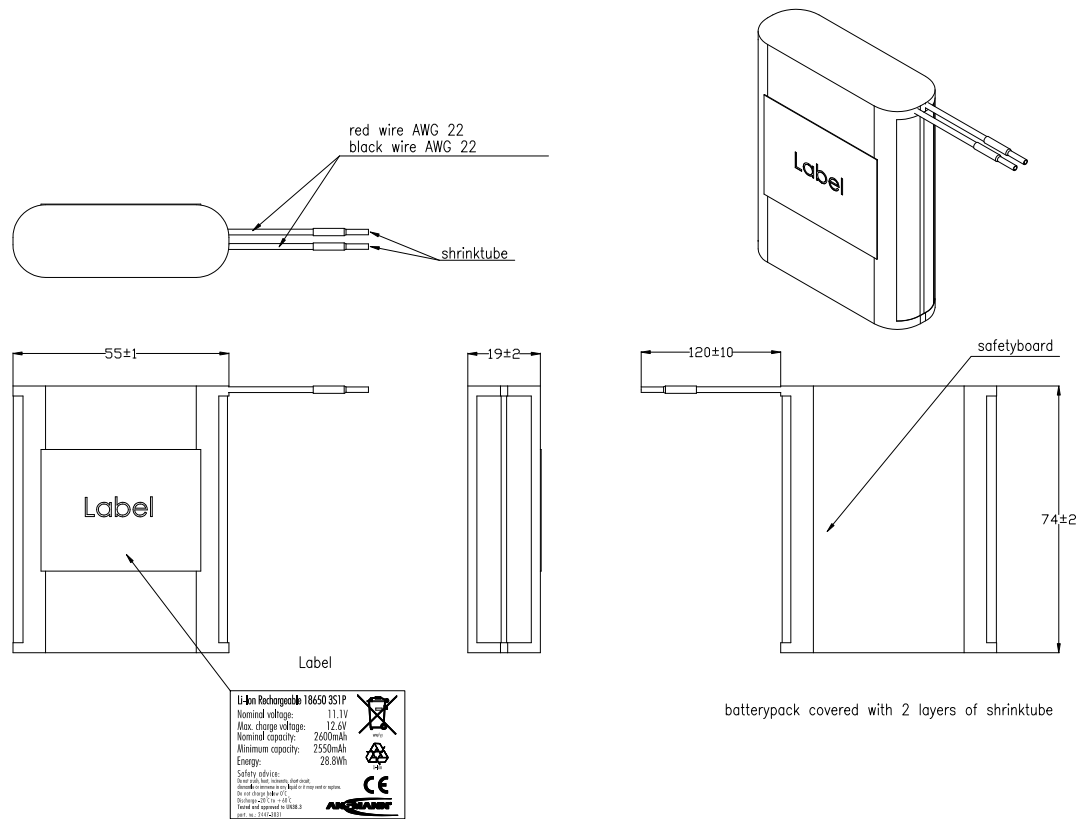


The drawing may not be copied, reproduced or made available to third parties for any use whatsoever without the prior written approval of the manufacturer.

- Technische Daten/  
 technical data : Akkupack/  
 batterypack  
 Chemie/  
 chemistry : Li-Ion Samsung SDI 26H  
 Zellenzahl/  
 no. of cells : 3 Zellen/ cells 18650 3S1P  
 Kapazität/  
 capacity : nom. 2600mAh discharge at 0.2C  
 min. 2550mAh discharge at 0.2C  
 ta:20°C; EV(Discharge End Voltage): 2.75V per cell  
 Innenwiderstand/  
 impedance : < 165mOhm (battery and safetyboard)  
 Nominalspannung/  
 nominal voltage : 11.1V  
 Standard Ladespannung/  
 standard charge voltage : 12.6V±1%  
 Standard Entladespannung/  
 standard discharge voltage : 8.25V  
 Nominaler Ladestrom/  
 nominal charge current : 0.5C  
 Maximaler Ladestrom/  
 maximum charge current : 1C  
 Ladeendstrom/  
 charge end current : 0.01C recommended  
 Maximaler Entladestrom/  
 maximum discharge current : 5200mA  
 Anwendungstemperaturbereich/  
 ambient temperature range : 0°C...+45°C charge  
 -20°C...+60°C discharge  
 -20°C...+30°C storage max. 1 year  
 -20°C...+45°C storage max. 3months  
 Selbstentladung/  
 self discharge : ≤ 5% / month at20°C  
 ≤ 10% / month at30°C  
 ≤ 20% / month at40°C  
 Standards/ : UN 3480, Subsection 38.3  
 All cells and batterypacks type tested according  
 to UN manual of test and criteria subsection 38.3  
 Technische Daten/  
 technical data : Sicherheitsschaltung/  
 safety board  
 Überladeschutzspannung/  
 over charge voltage detection : 4.35V±25mV per cell  
 Wiedereinschaltspannung/  
 over charge release voltage : 4.1V±100mV per cell  
 Entladeabschaltspannung/  
 over discharge detection voltage : 2.4V±80mV per cell  
 Wiedereinschaltspannung/  
 over discharge release voltage : 3V±150mV per cell  
 Nominaler Lade/Entladestrom/  
 nominal operating current : 7A  
 Entlade Abschaltstrom/  
 discharge cut off current : 10A± 2A  
 Kurzschlusschutz/  
 short circuit protection : gegen äußeren Kurzschluss/  
 against external short circuit  
 Temperaturschalter/  
 temperature switch : ---  
 MOSFET : im Pluszweig  
 in positive path  
 Rückstellkriterium/  
 release condition : Last trennen, Aktiv nach Anladen/  
 cut load, release after charging up  
 Nettogewicht/  
 net weight : 145g  
 Leiterplattenmaterial/  
 pcb material : FR4  
 Standards : CE



batterypack covered with 2 layers of shrinktube

Verwendungsbereich/Application range für Anfrage/for inquiry AN-IS-2013-00130	Zul. Abweichung/ Allowable deviation	Oberfläche/ Surface	Maßstab/Scale (DIN A2): 1:1	Gewicht/Weight
	Allgemeintoleranz DIN ISO 2768-m		Werkstoff/Work material, Modell-Nr.	
	2013	Datum/Date Name	Zeichnungsname/Drawing name	
	Erstellt/ Drawn by	06.06. JE	Li-Ion Battery 11.1V 2600mAh with safetyboard	
			Zeichnungsnummer/Drawing number Artikelnummer/Part number	Blatt/ Sheet
VO ---	XX.XX.XX XX		2447-3031	1
Version	Änderung/Change	Datum/Date Name	Ursprung/Origin Proj. IS-2013-00130	Ersatz für/Replaced by
				Ersatz durch/Replaced through